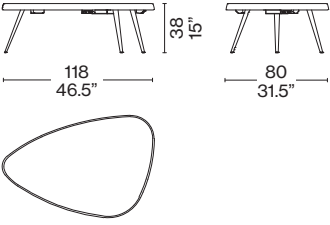
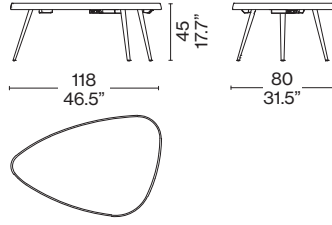


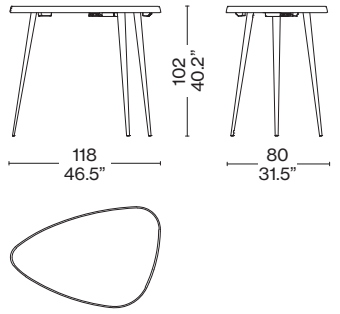
527_P0



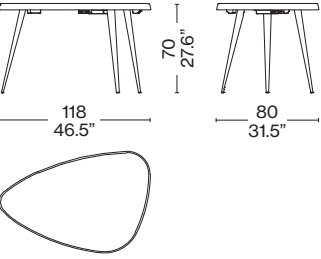
527_P1



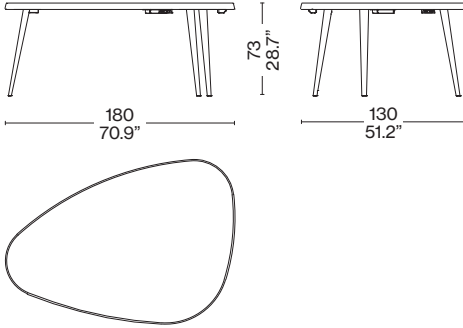
527_P3



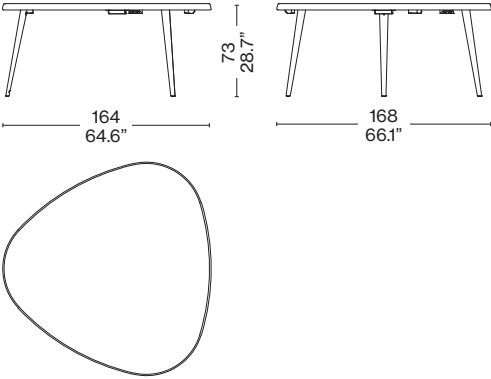
527_P2



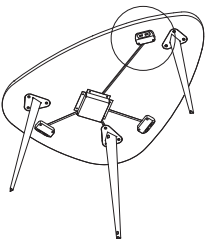
527_P4



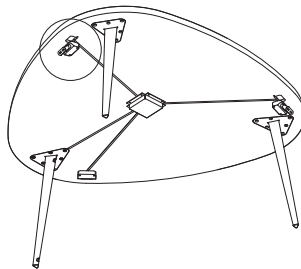
527_P5



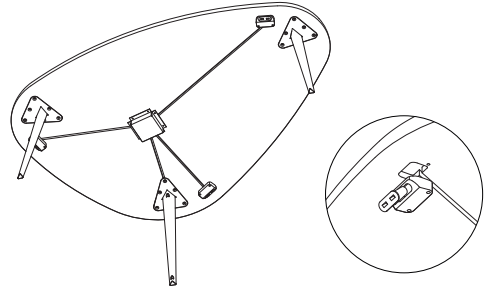
527 P0-P3 Wiring detail



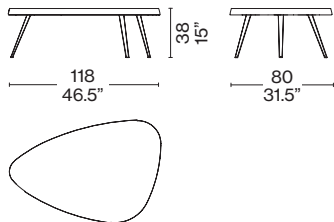
527 P5 Wiring detail



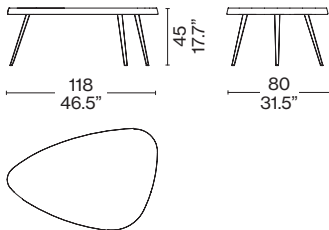
527 P4 Wiring detail



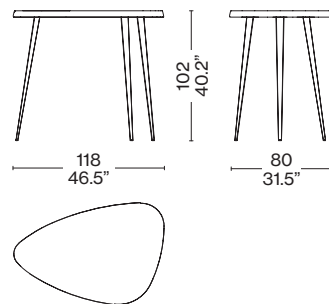
527_Q0



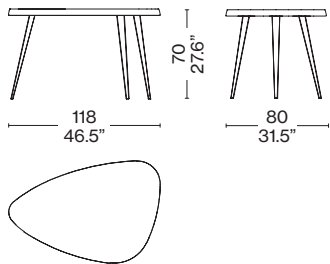
527_Q1



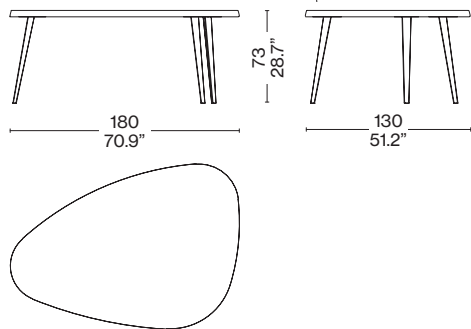
527_Q3



527_Q2



527_Q4



527_Q5

